



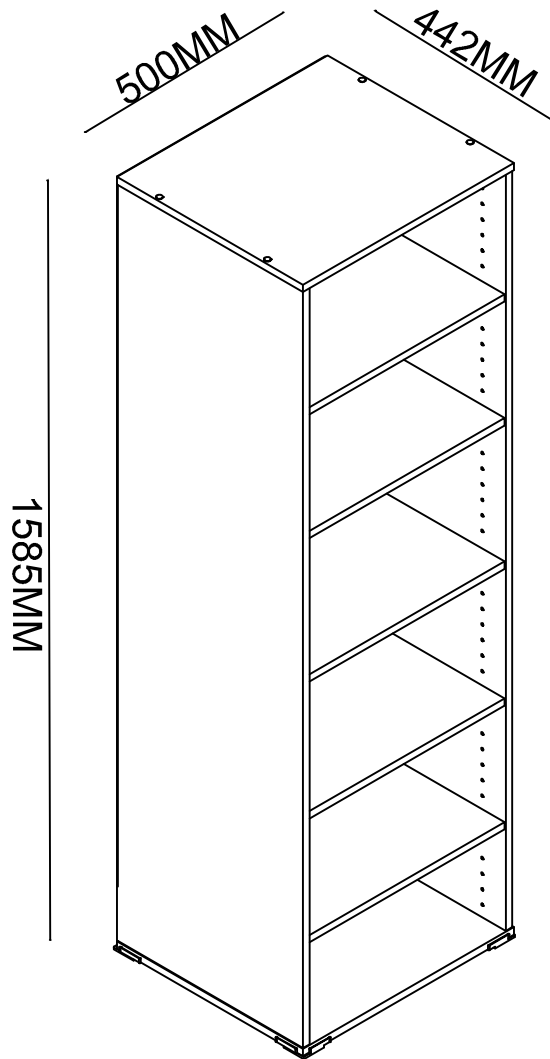
ASSEMBLY INSTRUCTION

Spacesaver Module All Shelf 1590

ITEM CODE 49162

Imported by Amart Furniture Pty Ltd, Qld, Brisbane Australia.

For any assistance with assembly or for missing parts please phone
Amart Furniture Ewing Road, Customer Service Free call 1800 351 084



Imported by Amart Furniture Pty Ltd, Qld, Brisbane Australia.

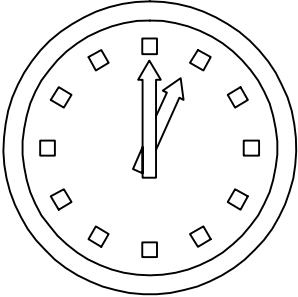

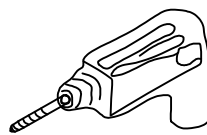
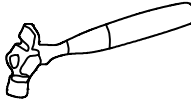
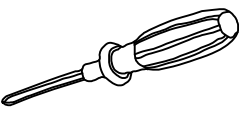

For any assistance with assembly or for missing parts please phone

Amart Furniture Ewing Road, Customer Service Free call 1800 351 084

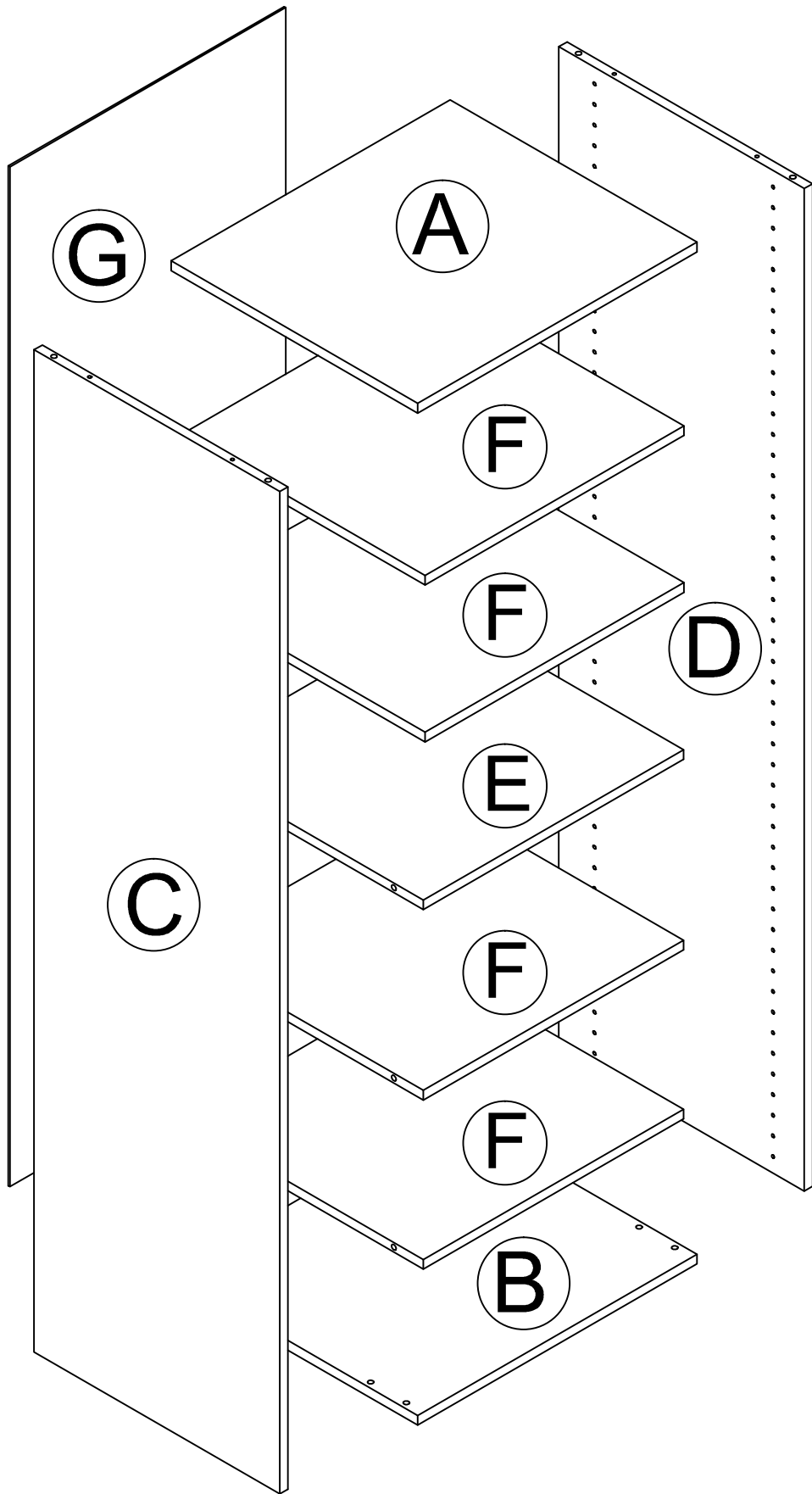
PRE-ASSEMBLY PREPARATION

Before you start:



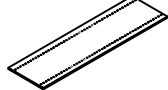
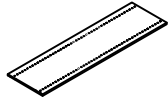


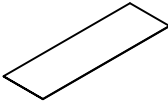
1. Choose a clean, level, spacious assembly area. Avoid hard surfaces that may damage the product.
2. Take care when lifting. Product should be assembled as near as possible to the point of use.
3. Ensure that you have all required contents for complete assembly.
4. Always read the assembly instructions carefully before beginning assembly.
5. Keep all hardware parts and packaging out of reach of small children.
6. Do not over tighten the screws and bolts as this may damage the threads.

 <p>45min</p>	 <p>1 People Required</p>	<p>IF REQUIRED</p>  <p>Low speed (Ø6mm)</p>
   <p>ADDITIONAL TOOLS REQUIRED</p>		


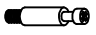










<h2>! TIPPING WARNING !</h2>	
	<p>Serious or fatal injuries may occur from furniture toppling over. To help avoid this please follow the below recommendations:</p> <ul style="list-style-type: none">• Install the provided "Tipping Kit" as per the instructions• Never allow children to climb on or hang off of any part of this product• Unless specifically designed to accommodate, do not set TVs or other heavy objects on top of this product <p>If this product has drawers:</p> <ul style="list-style-type: none">• Place the heaviest items in lowest drawers• Do not open more than 1 drawer at a time as this may cause the product to become unbalanced• Do not tamper with or remove any drawer interlocking/running system <p>Note: The use of the provided "Tipping Kit" may reduce but not necessarily eliminate the risk of furniture toppling over. Please use this product with caution.</p> <p><i>This is a permanent label. Do not attempt to remove!</i></p>

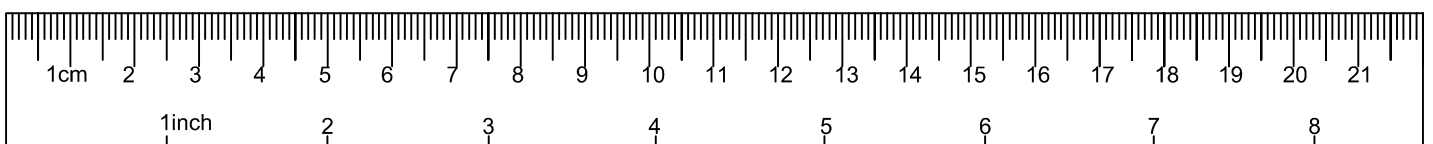


Item Code- 49162

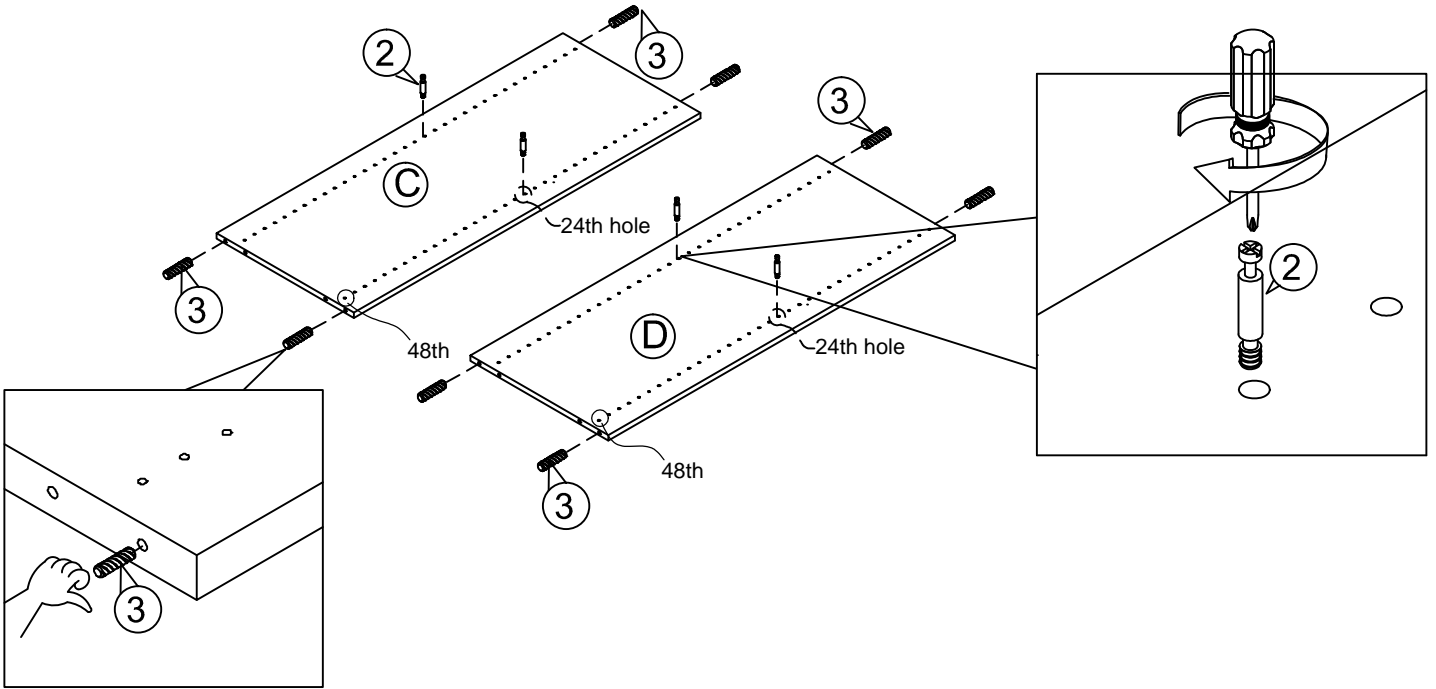
Panel(Mark)	Packing carton	Quantily	Picture	Dimension
A	(Box 1)	1 PC		500 x 442 x 15mm
B	(Box 1)	1 PC		500 x 442 x 15mm
C	(Box 1)	1 PC		1555 x 440 x 15 mm
D	(Box 1)	1 PC		1555 x 440 x 15 mm
E	(Box 1)	1 PC		466 x 437 x 15mm
F	(Box 1)	4 PCS		464 x 437 x 15mm
G	(Box 1)	1 PC		1581 x 492 x 3mm

Please note - All Hardwares in box 1.

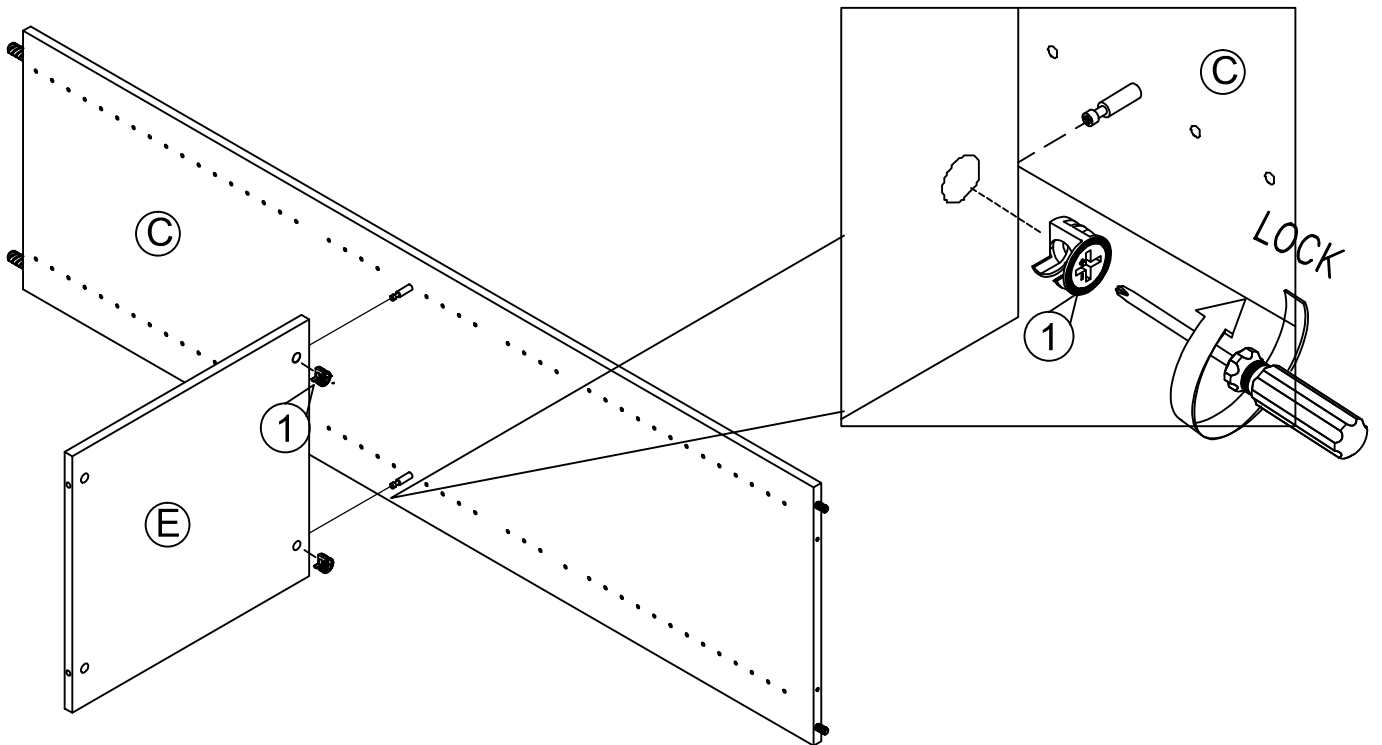
① 4 PCS  Ø15 x 12 mm	② 4 PCS  Ø6 x 34 mm	③ 8 PCS  Ø8 x 30 mm	④ 8 PCS  Ø10 x Ø7 x 50 mm	⑤ 4 PCS  Ø15 x Ø3 x 7 mm	⑥ 55 PCS  Ø4 x Ø2 x15 mm	⑦ 4 PCS  65 x 65 x 13 mm
⑧ 16 PCS  Ø5 x 22 x 9 x 17mm	⑨ 1 PC  20 x 40 x 1.2mm	⑩ 1 PC  Ø9 x Ø6 x 25mm	⑪ 1 PC  Ø9 x Ø4 x 15mm	⑫ 1 PC  Ø9 x Ø4 x25mm		



1



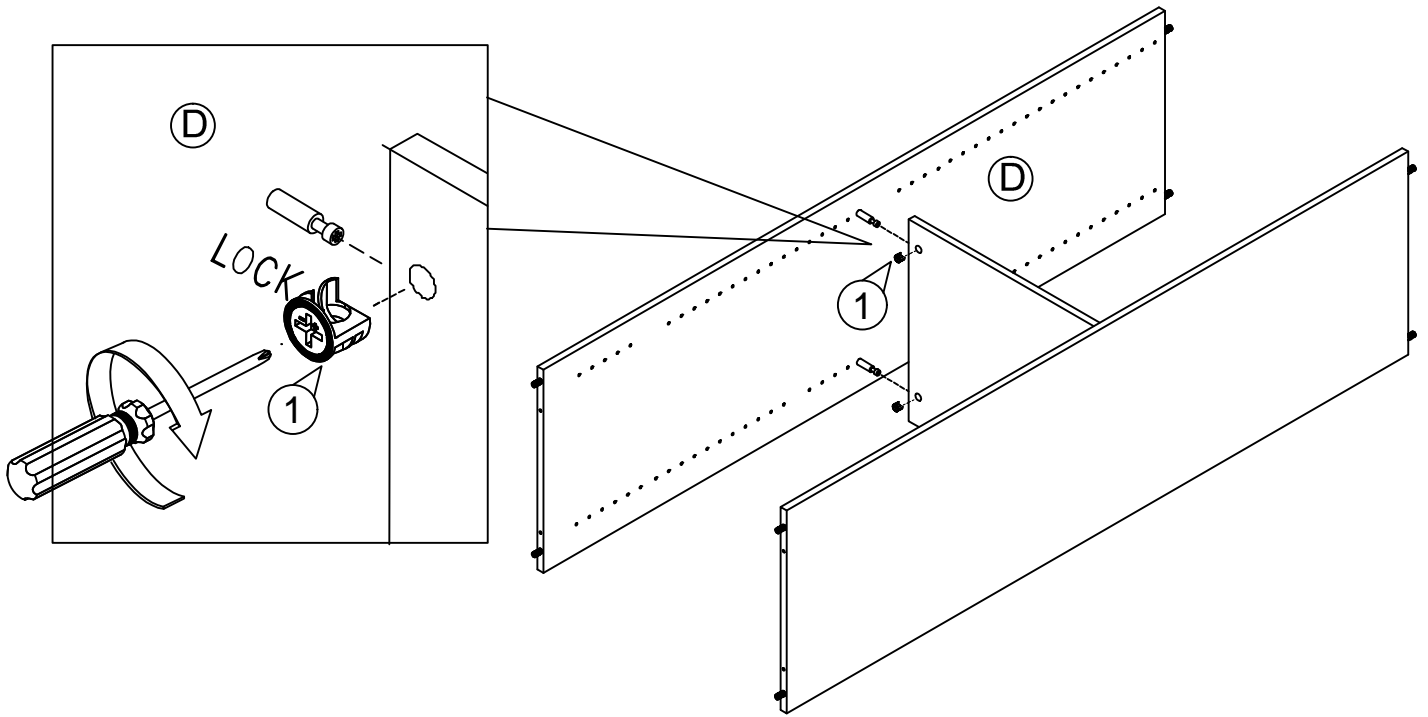
2



3



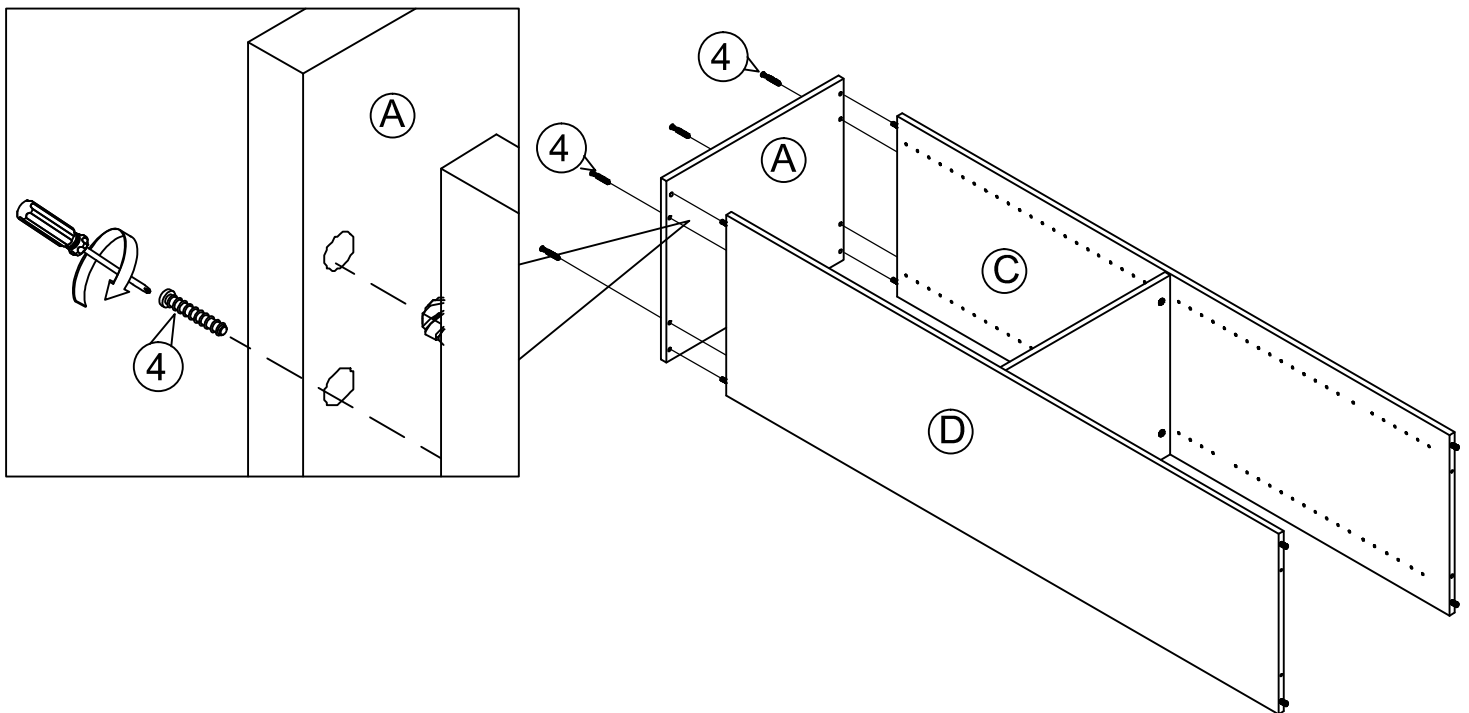
① x 2




4

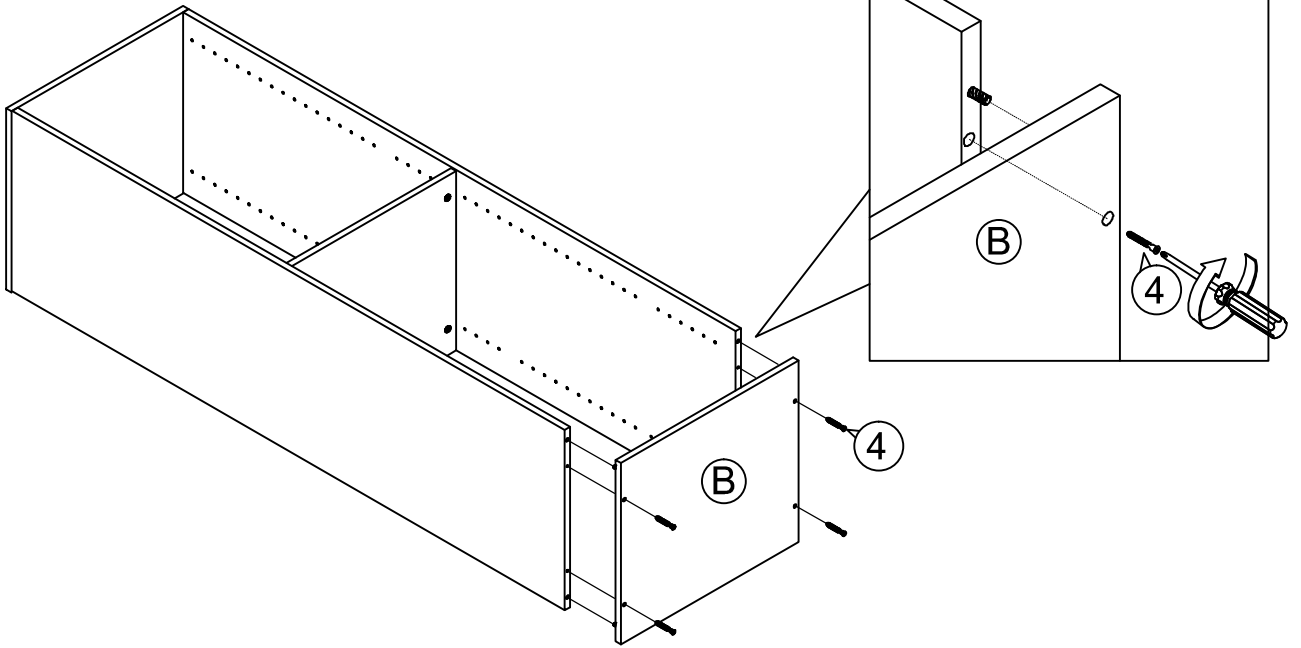


④ x 4

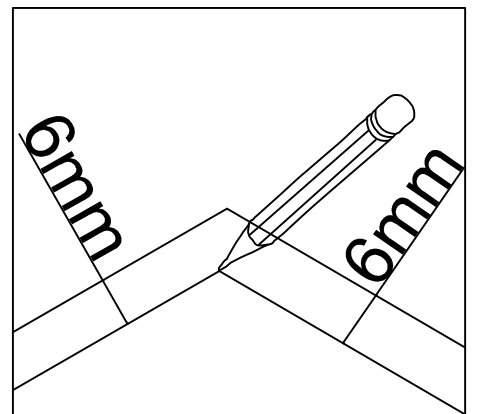
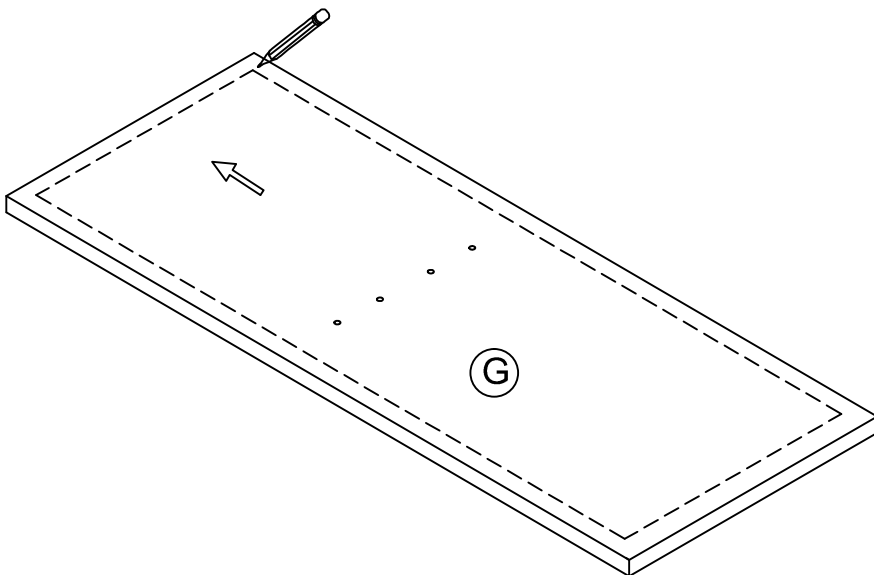
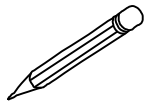


5


④ x 4

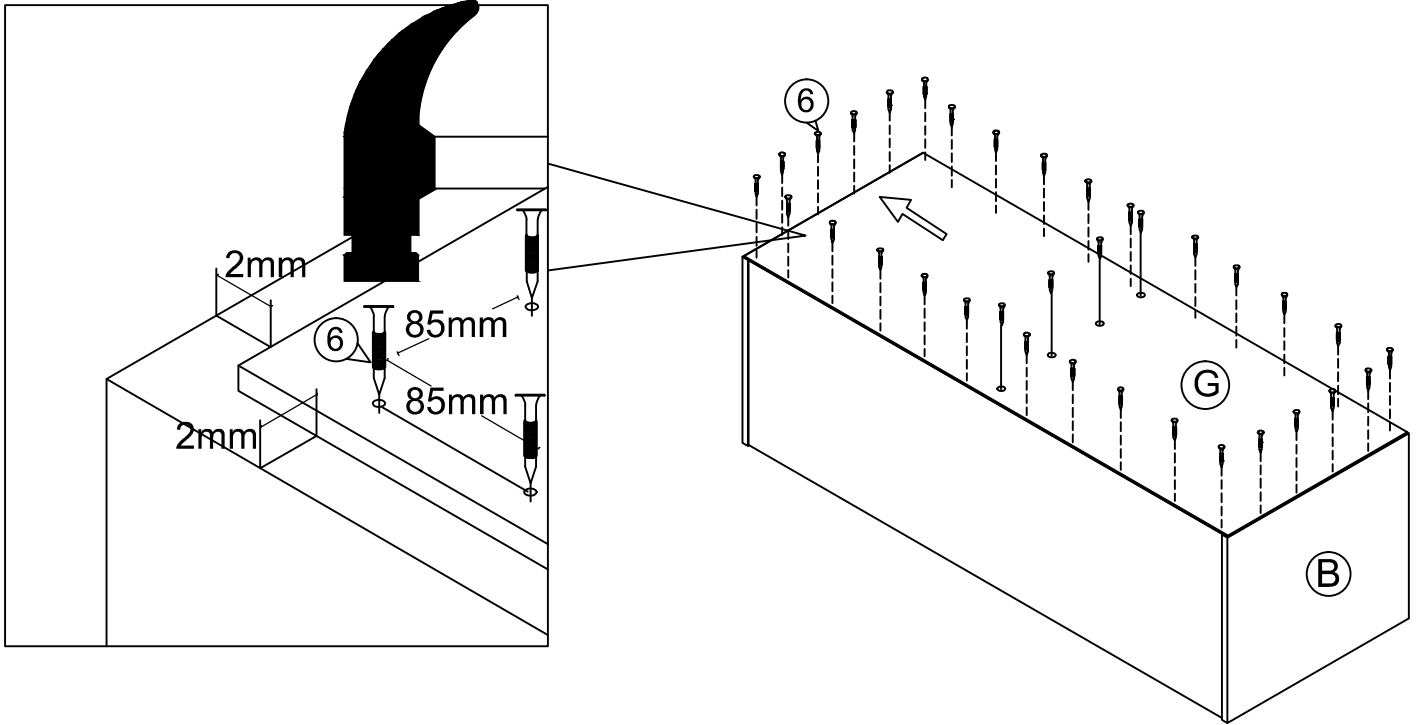


6



7

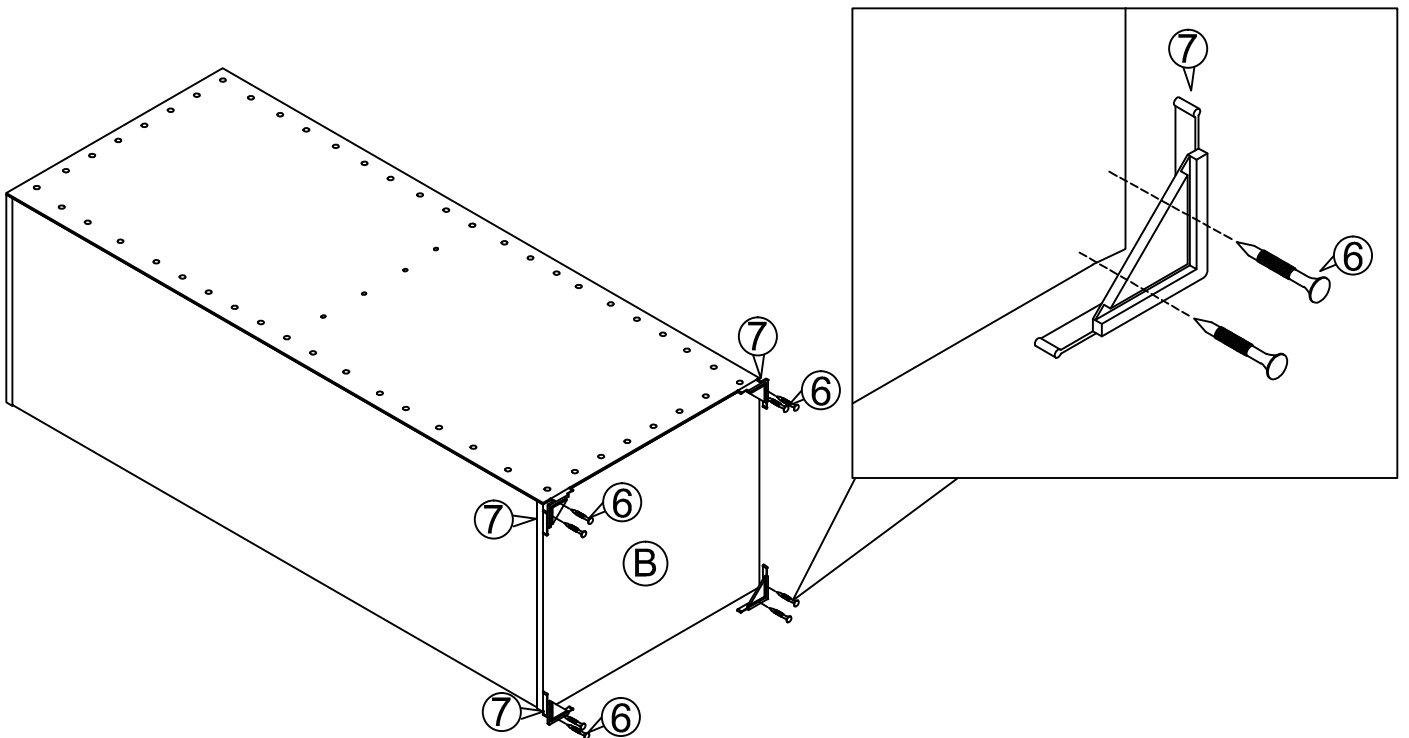
⑥ x 47



8

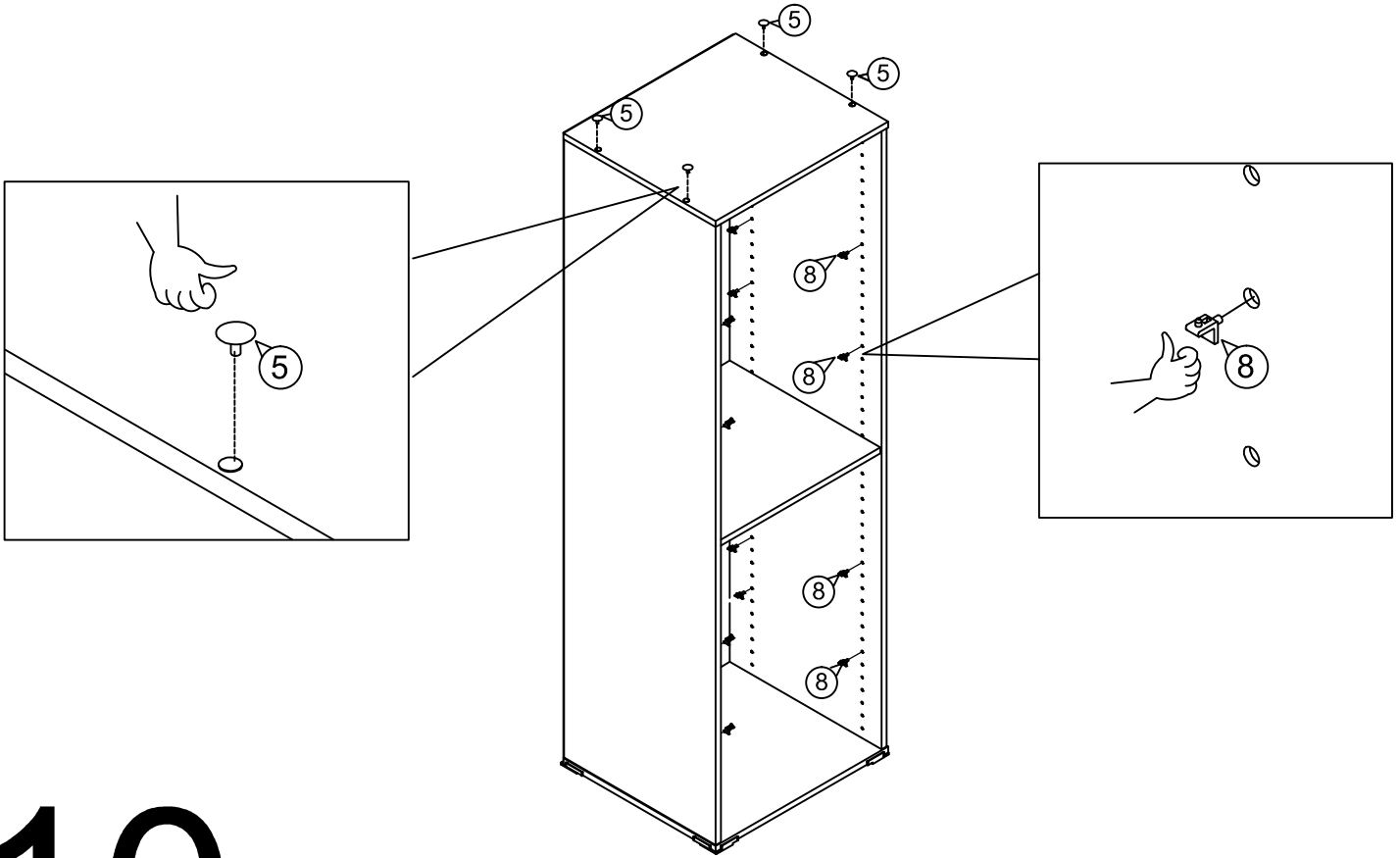
⑥ x 8

⑦ x 4

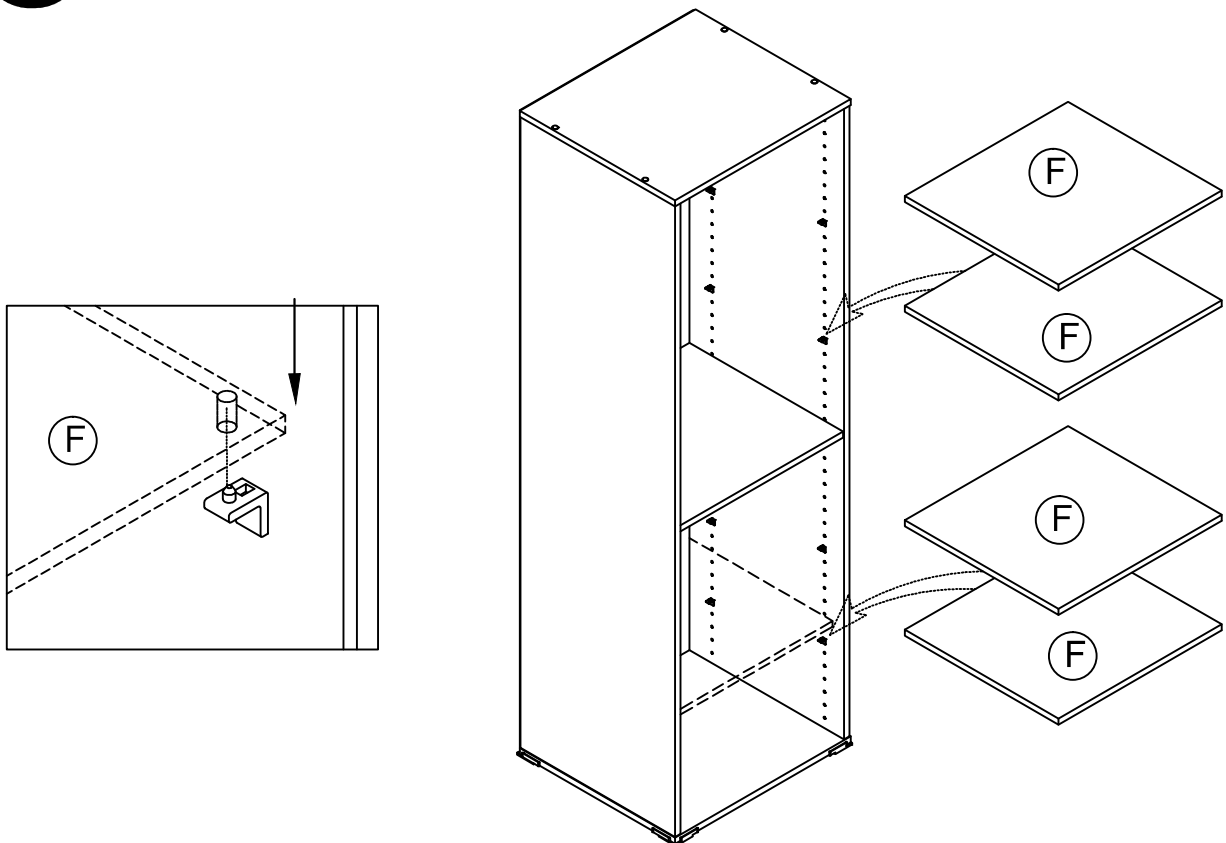


9

⑤ x 4 ⑧ x 16



10



SAFETY BRACKETS INSTRUCTIONS

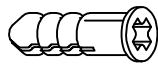
This furniture poses a tipping risk and as such must be secured to a wall using the provided tipping kit.

1. Attach one Mounting plate to the wall with the Large screws. Make sure to attach the Mounting Plate into a stud. If mounting into brick or masonry you will need to acquire wall anchors. Please enquire with your local hardware supplier for appropriate fixings.
2. Attach the second Mounting Plate to the furniture frame with the Short screws .
3. Move the furniter to its final position. Thread a Wall Strap through the both Mounting Plated and tighten until snug. Do not over tighten.
4. Make sure that the Mounting Plated are firmly attached to the wall and fumiture and that the Wall Strap is snug.

HARDWARE



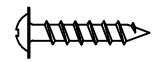
1 PC
20 x 40 x 1.2mm
Wall Bracket



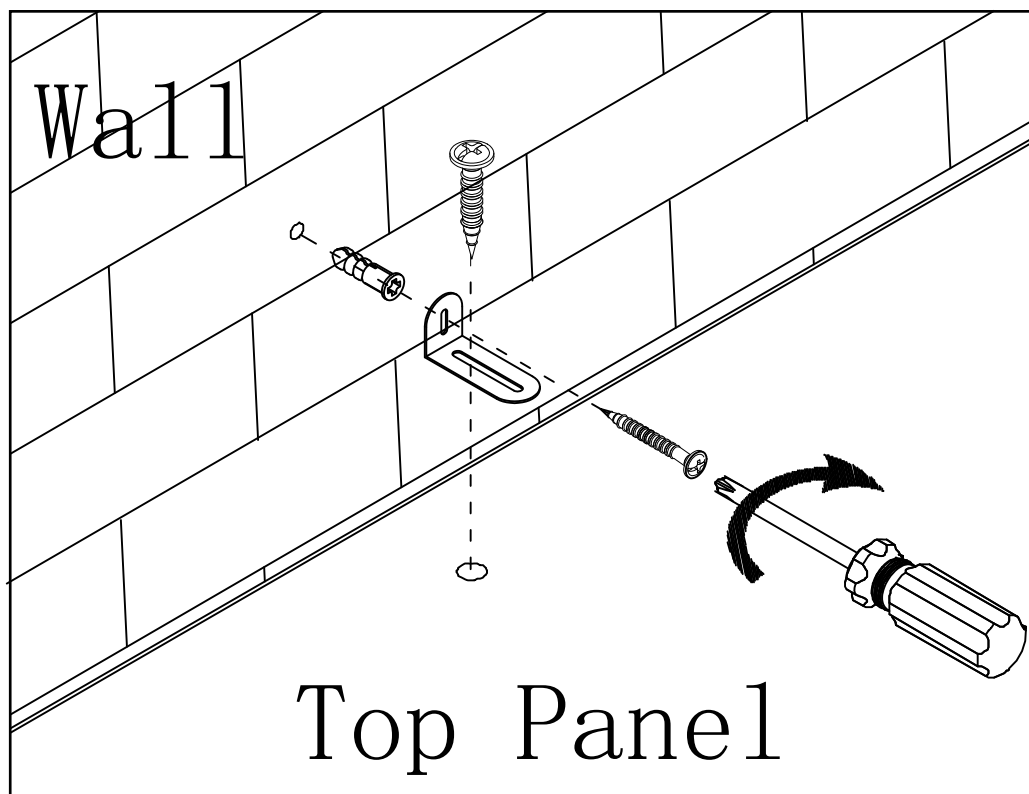
1 PC
Ø9 x Ø6 x 25mm
Plastic Screw



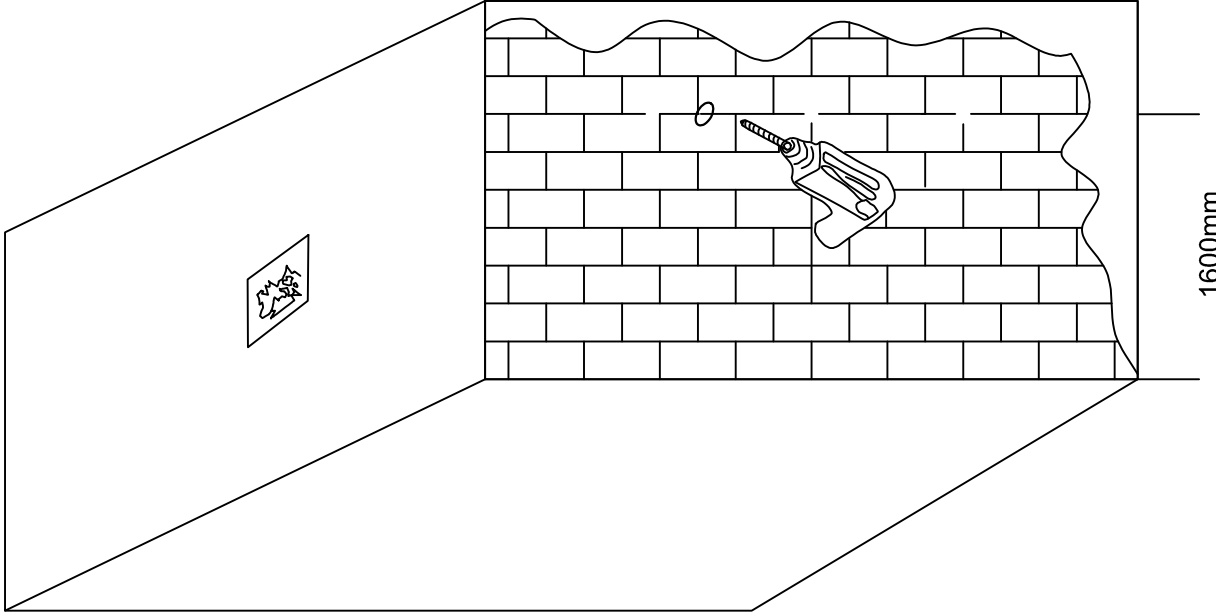
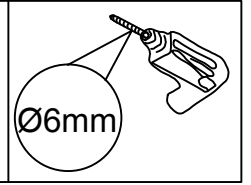
1 PC
Ø9 x Ø4 x 15mm
Screw



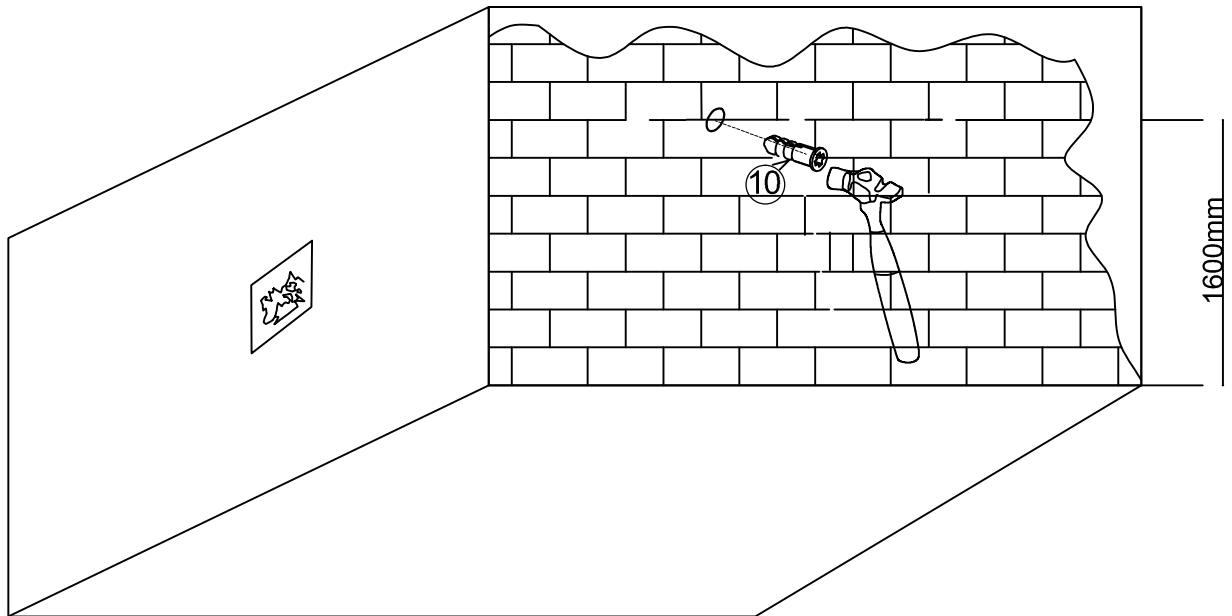
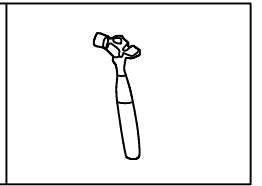
1 PC
Ø9 x Ø4 x 25mm
Screw



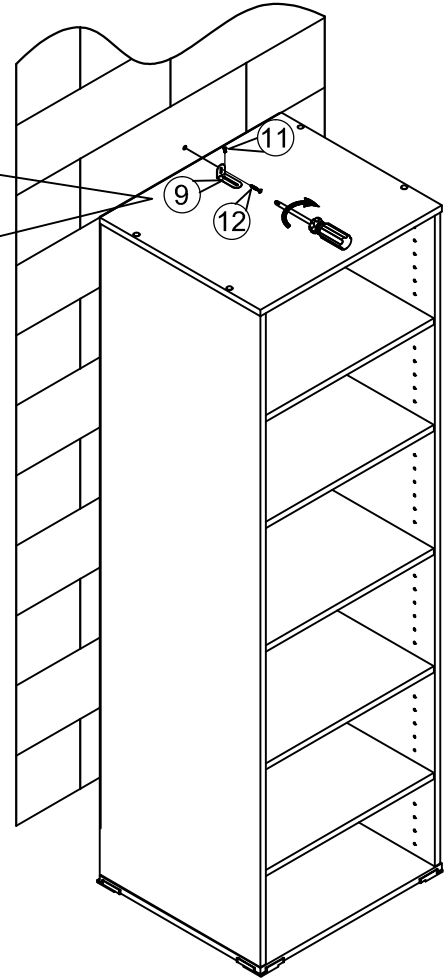
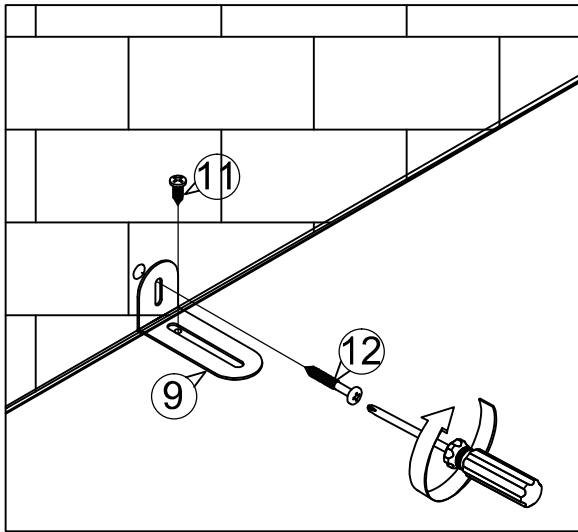
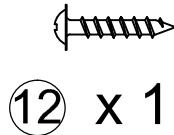
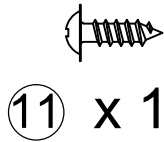
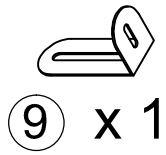
11



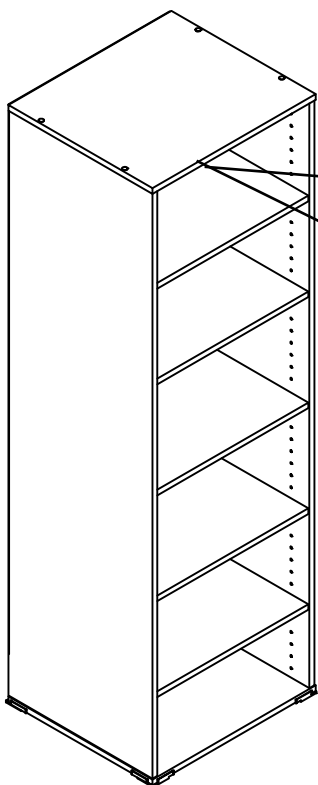
12




13



ASSEMBLY IS COMPLETE



 on the back side of the top panel next to coo label

! TIPPING WARNING !	
	<p>Serious or fatal injuries may occur from furniture toppling over. To help avoid this please follow the below recommendations:</p> <ul style="list-style-type: none">• Install the provided "Tipping Kit" as per the instructions• Never allow children to climb on or hang off of any part of this product• Unless specifically designed to accommodate, do not set TVs or other heavy objects on top of this product
	<p>If this product has drawers:</p> <ul style="list-style-type: none">• Place the heaviest items in lowest drawers• Do not open more than 1 drawer at a time as this may cause the product to become unbalanced• Do not tamper with or remove any drawer interlocking/running system
<p>Note: The use of the provided "Tipping Kit" may reduce but not necessarily eliminate the risk of furniture toppling over. Please use this product with caution.</p> <p><i>This is a permanent label. Do not attempt to remove!</i></p>	

Product Care



Our furniture is built to last. Following these steps for basic care should protect your investment for years to come

- Dust frequently with a clean damp lint-free cloth. This will help remove abrasive build up which can damage a finish over time
- Do not place hot objects on any furniture surface. Always use a hot plate or placemat.
- Avoid exposing your furniture to strong sunlight, heat outlet, open windows or dampness. Prolonged exposure to direct sunlight can fade the finish of your furniture, while extreme temperature and humidity changes can cause cracking or splitting
- Do not expose your furniture to any liquids. Never allow water to sit on your furniture. Alcohol, nail polish and perfume are also dangerous as they will dissolve the finish on contact and may require professional repairs
- Do not allow plastic to come in direct contact with your furniture. Chemicals in the plastic of placemats etc. may soften and mark the finish if left in contact with the furniture for a period of time

1